

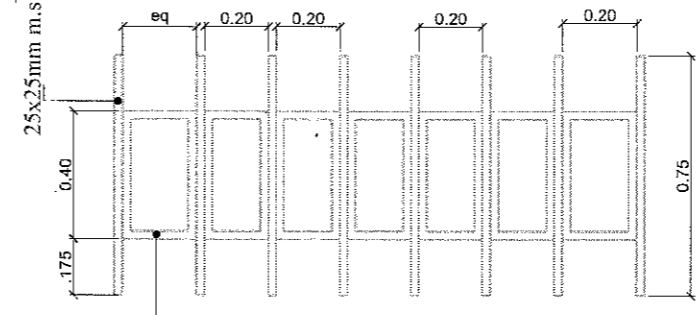
BOUNDARY WALL
25x25mm m.s sq. pipe

BOUNDARY WALL

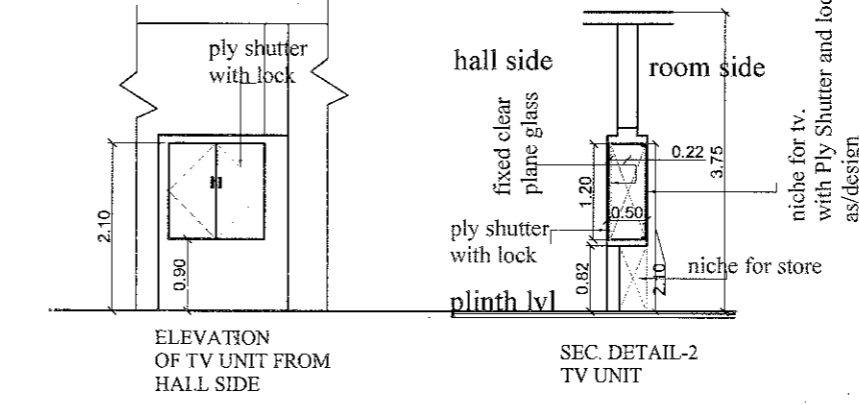
BOUNDARY WALL

SCHEDULE OF DOORS & WINDOWS

SL. NO.	TYPE	WIDTH	HEIGHT	SIL. LVL.	LINT. LVL.	DESCRIPTION
01	D1	1.050	2.100	0.0	2.100	30 mm flush door with steel frame
02	D2	.750	2.100	0.0	2.100	p.v.c. door in steel frame
03	W	.900	1.200	.900	2.100	Glazed Steel window
04	V	.600	.750	1.350	2.100	Glazed Steel window

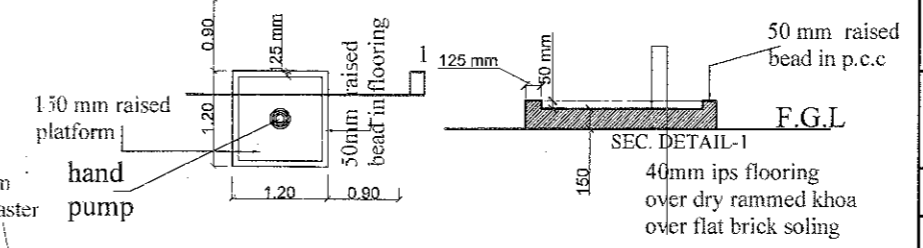


25x25mm m.s sq. pipe



ELEVATION OF TV UNIT FROM HALL SIDE

SEC. DETAIL-2 TV UNIT



WATER POINT BLOW UP

- SPECIFICATIONS :-**
- FOUNDATION- NORTH BIHAR - OPEN FOUNDATION
- SOUTH BIHAR - PILE FOUNDATION
 - DOORS:- ENAMEL PAINTED FLUSH DOOR IN PRESSED STEEL FRAME
URINAL DOOR - (PVC DOORS)
 - WINDOW:- GLAZED STEEL WINDOW
 - FLOORING:- HALL & ROOM - 40 mm I.P.S. FLOORING OVER DRY
RAMMED KHOA OVER FLAT BRICK SOLING
- RAMP- P.C.C.
 - URINAL:- WALL TILES- GLAZED WALL TILES UPTO 750mm
FLOOR-300X300 mm CERAMIC TILES
 - PAINTS:- INTERNAL-LIME WASH
EXTERNAL-CEMENT BASED PAINT

PROJECT :
PROPOSED COMMUNITY HALL CUMWORK SHED WITH URINAL & WATER POINT

CLIENT : BIHAR MAHADALIT VIKAS MISSION
PATNA -

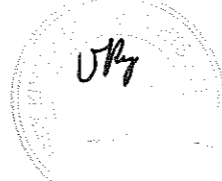
SHEET TITLE
SITE PLAN/GROUND FLOOR PLAN
BOUNDARY ELEVATION

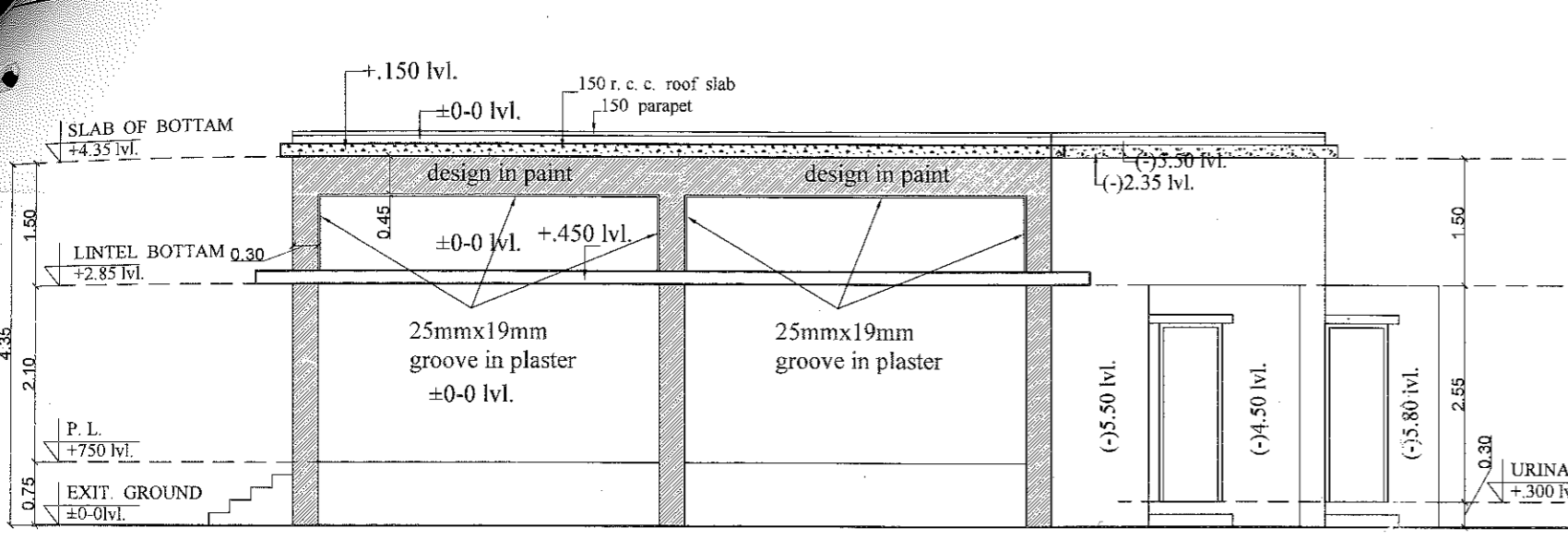
SCALE N.T.S. **DATE** 06. 07. 16

DLT BY AR. RAJEEV **CHEKED BY** AR. VISHNU.K.C **DRWN BY** AR. RAJEEV

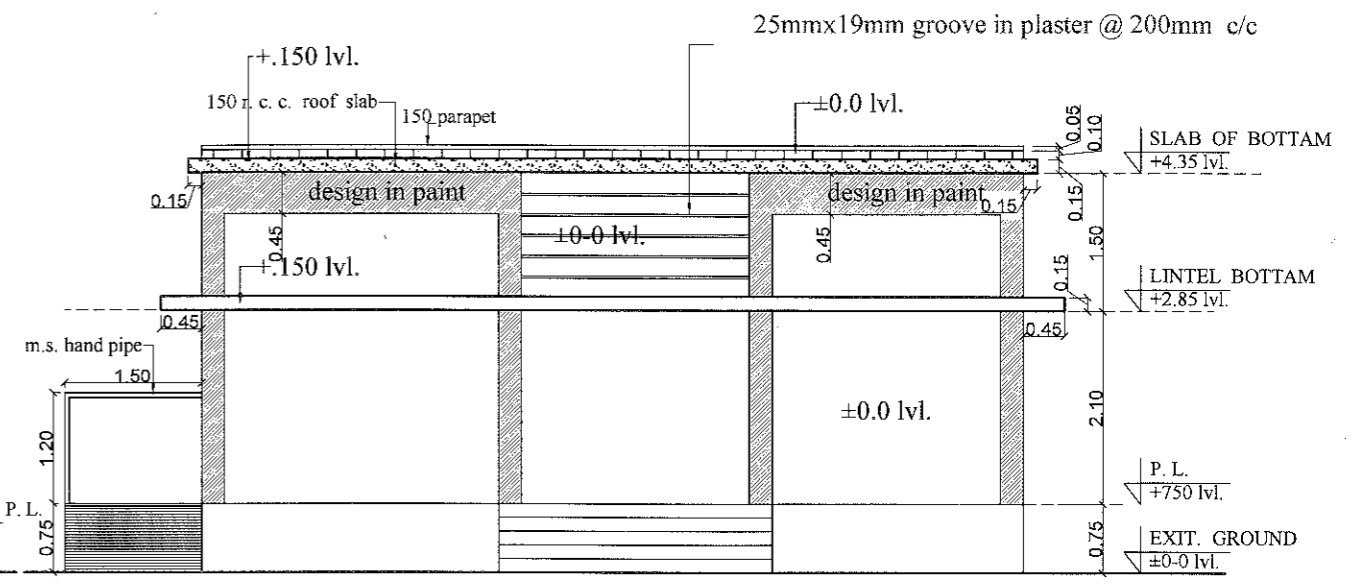
CHOUDHARY KUMAR CONSULTANTS Pvt.Ltd.
Architects , Engineers & Interior Designers
Pandooi Place , Boring road , Patna - 1
TEL 0612 - 2335894 Email : - cckpl1@gmail.com
CIN NO:-U74210BR1999PTC008846

Approved
26/7/16
Anil Kumar
Engineer (Monitoring)
MISSION DIRECTOR
Bihar Mahadalit Vikas Mission
Bihar, Patna

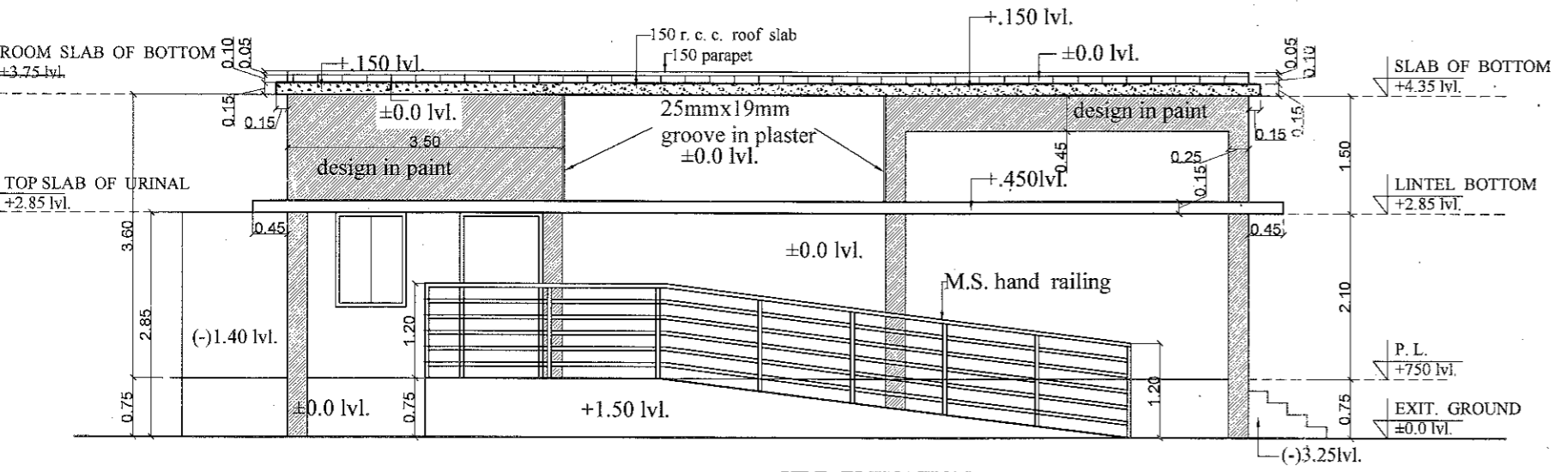




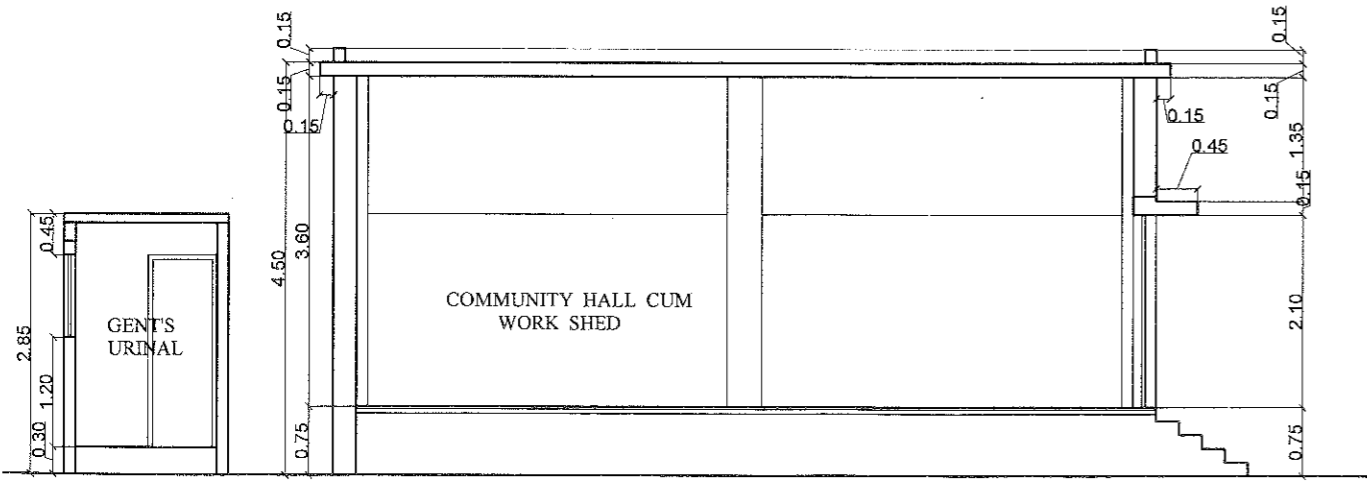
SIDE ELEVATION -1



FRONT SIDE ELEVATION



SIDE ELEVATION



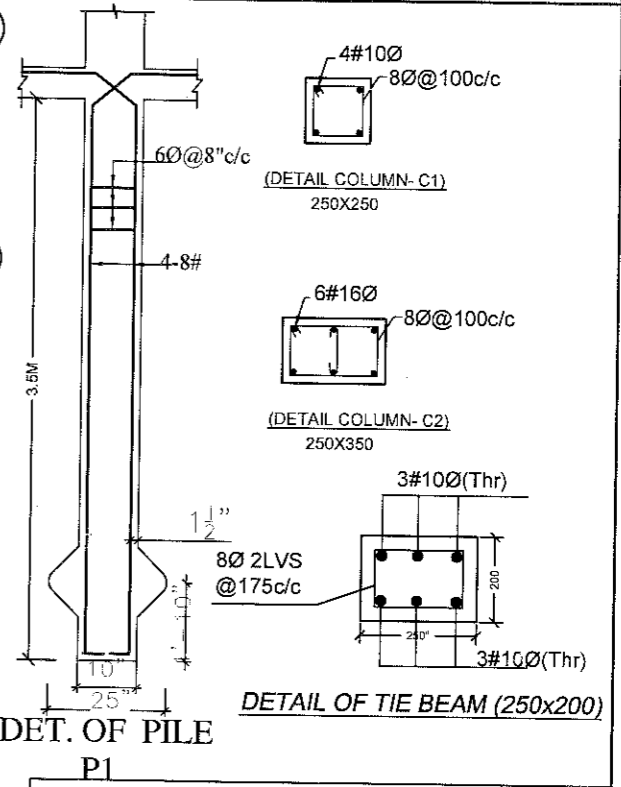
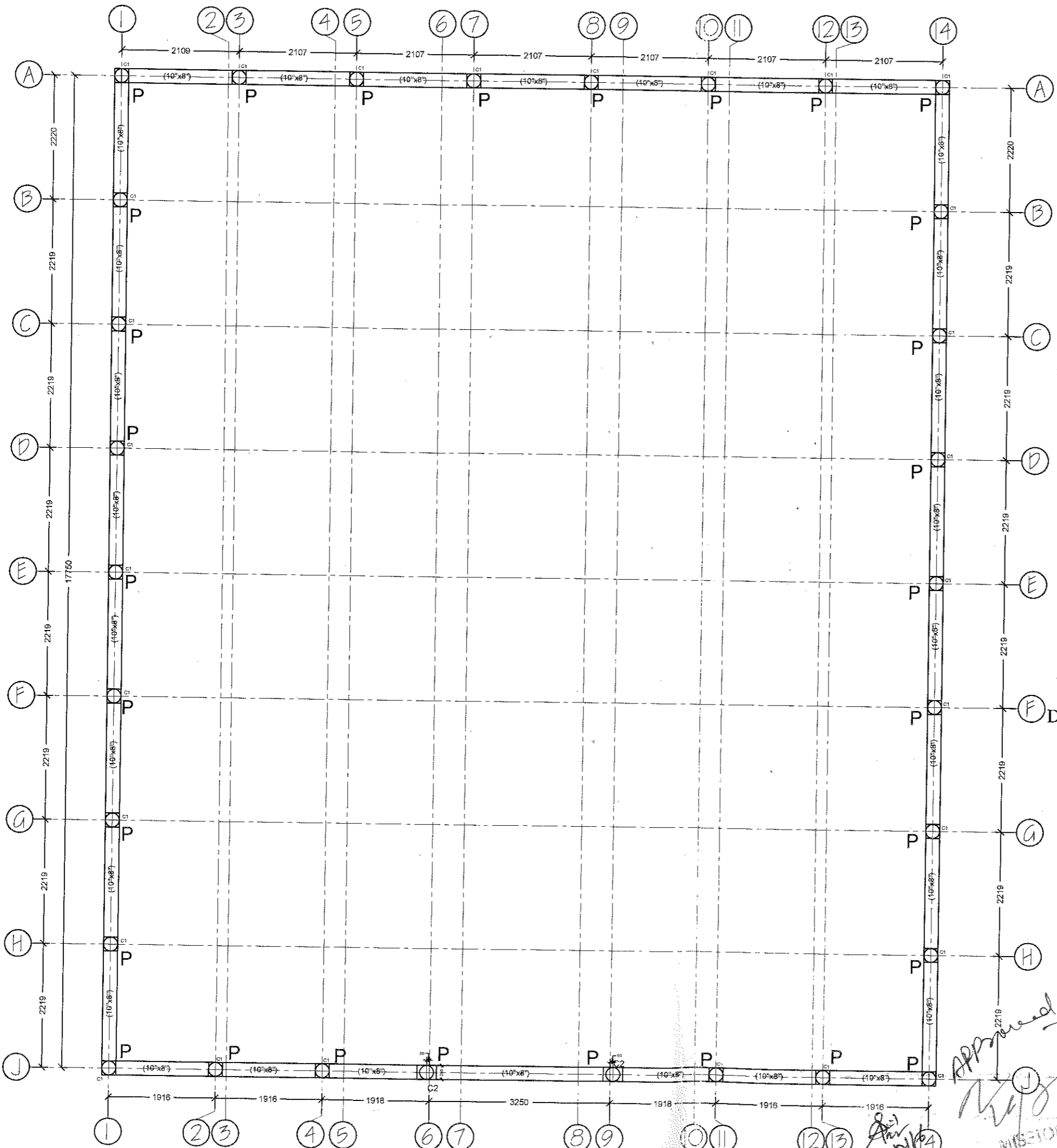
SECTION - X - X

Approved
 20/7/16
 Anil Kumar
 Mission Director
 Bihar Mahadalit Vikas Mission
 Bihar, Patna

PROJECT :		
PROPOSED COMMUNITY HALL CUMWORK SHED WIT URINAL & WATER POINT		
CLIENT : BIHAR MAHADALIT VIKAS MISSION PATNA -		
SHEET TITLE		DRG. NO.
SECTIONS,ELEVATIONS		BMDVN/COM/ A-02
SCALE	DATE	NORTH
N.T.S	06. 07. 16	
DLT BY	CHEKED BY	DRWN BY
AR.RAJEEV	AR.VISHNU.K.C	AR.RAJEEV
CHOUDHARY KUMAR CONSULTANTS Pvt.Ltd.		
Architects , Engineers & Interior Designers Pandooi Place , Boring road , Patna - I TEL 0612 - 2535894 Email :- ckcpl1@gmail.com CIN NO:-U74210BR1999PTC008846		

NOTES:

- 1> Read this drawing along with architectural & structural drawing.
- 2> Do not scale, follow written dimensions only.
- 3> All dimensions & levels shall be checked & co-related with relevant architectural & structural drawing & in case of any ambiguity the matter shall be brought to the notice of the consultant before starting the work.
- 4> Mix of concrete to be used is M20 unless noted otherwise.
- 5> \emptyset for 6mm dia bars indicates for steel with $F_y=250$ N/sq.mm \emptyset for other dia bars indicates for steel with $F_y=500$ N/sq.mm
- 6> Clear cover for main bars :-
Footing=50mm Column=40MM Tie Beam=25MM
- 7> Not more than 50% of bars shall be lapped at any section of smaller bar.
- 8> Lap should be avoided in following cases :-
Top bars - near support Bottom bars - near mid span
- 9> Development length and lap length shall be 57 times smaller bar dia. ($47\emptyset + 10\emptyset$)
- 10> Wherever necessary chairs @ 2'-6" shall be provided to support the top reinforcement.
- 11> Thickness of all Mat & Strip slabs are shown in plan.
- 12> Water curing must be done at least for 21 days.
- 13> All concrete shall be machine mixed and machine vibrated.
- 14> Sufficient concrete cube test and steel yield strength test is to be performed for different batches and test report shall be submitted to the STRUCTURAL consultant in time.
- 15> This foundation has been designed for single storey institutional building taking $SBC=7T/sq.mt$. This building has been designed as earthquake resistant structure as per IS codes.



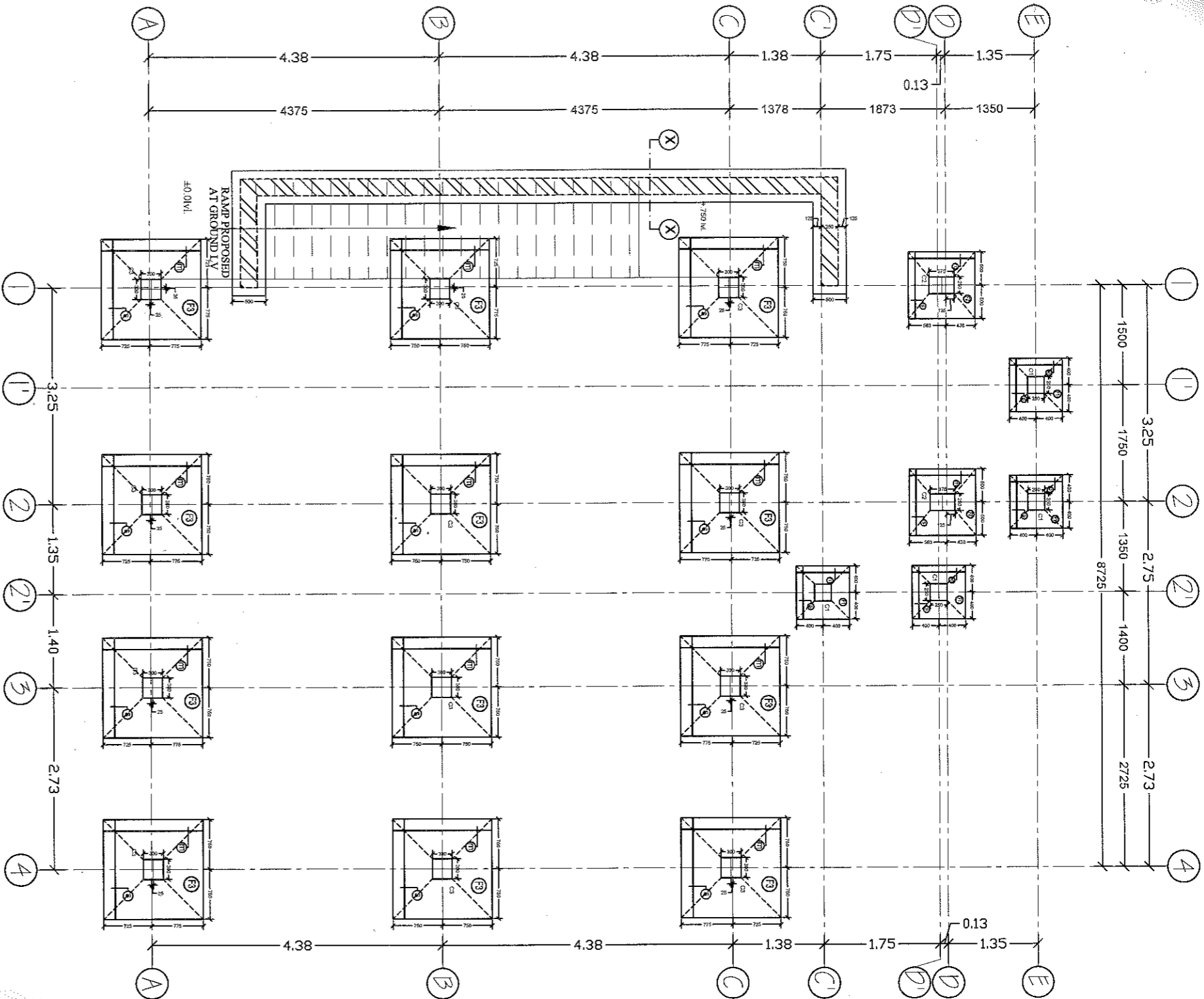
APPROVALS			
(Design Engineer)	A.E.(Design)	Ex.en.(Design)	(Chief Technical Advisor)

PROJECT: (SINGLE STOREY BLDG.)
Proposed Community Hall/ work shed
 at
 SHEET TITLE:
REIN. DETAILS OF BOUNDARY WALL
 CLIENT:
BIHAR MAHADALIT VIKAS MISSION PATNA.
 ARCHITECT & CONSULTANT:
CHOUDHARY KUMAR CONSULTANTS Pvt. Ltd.
 2nd Floor, PANDOOI PLACE, BORING ROAD, PATNA
 SCALE: 1"=5'
 DWG NO. MB64-05
 DRAWN BY: RAZI ANSARI DATE: 12-07-2016
 CHECKED BY: MANOJ JAISWAL DEALT BY: ABHINAV GUPTA

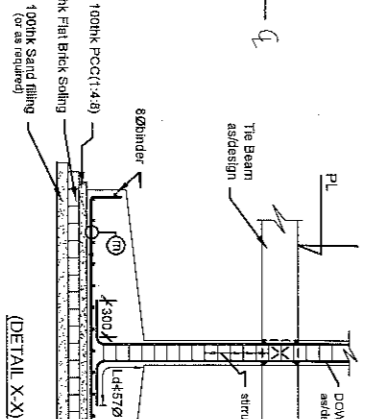
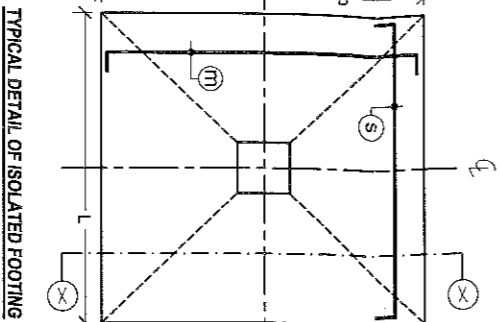


The CAD Institute:
COMPUTER AIDED DESIGN STUDIO
 (Opp. Tapasva Complex) Boring Road, Patna-1. ph:9835047253
 PMCA Approved Grade-A Structural Designer

Approved
24/07/16
 MISION DIR
 Mahadalit V



FOUNDATION LAYOUT & REIN. DETAILS.

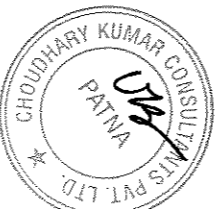


TYPICAL CS FOR 10" THK. BRICK WALL SECTION XX

Amil Kumar
20/11/16
MISSION DIRECTOR
Bihar Mahadalit Vikas Mission
Bihar, Patna

DETAIL OF FOOTINGS						
FOOTING	COLUMN NO.	L X B	D	a	③	
F1	AS/DETAIL	800 x 800	300	150	10Ø@100c/c	10Ø@100c/c
F2	AS/DETAIL	1000 x 1000	300	150	10Ø@100c/c	10Ø@100c/c
F3	AS/DETAIL	1500 x 1500	400	200	10Ø@100c/c	10Ø@100c/c

APPROVALS	
(Design Engineer)	A.E. (Design)
	Ex.en. (Design)
	(Chief Technical Advisor)

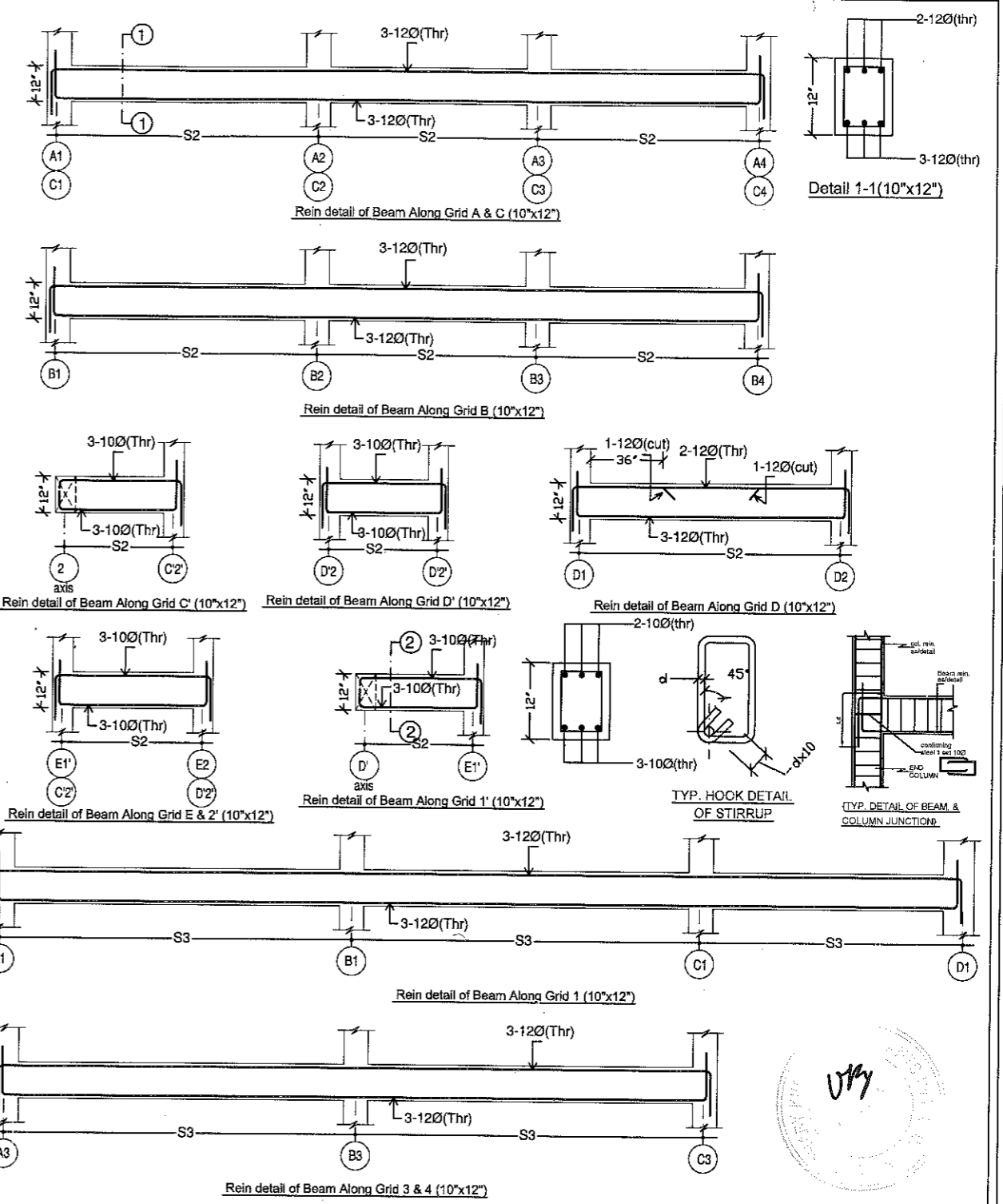
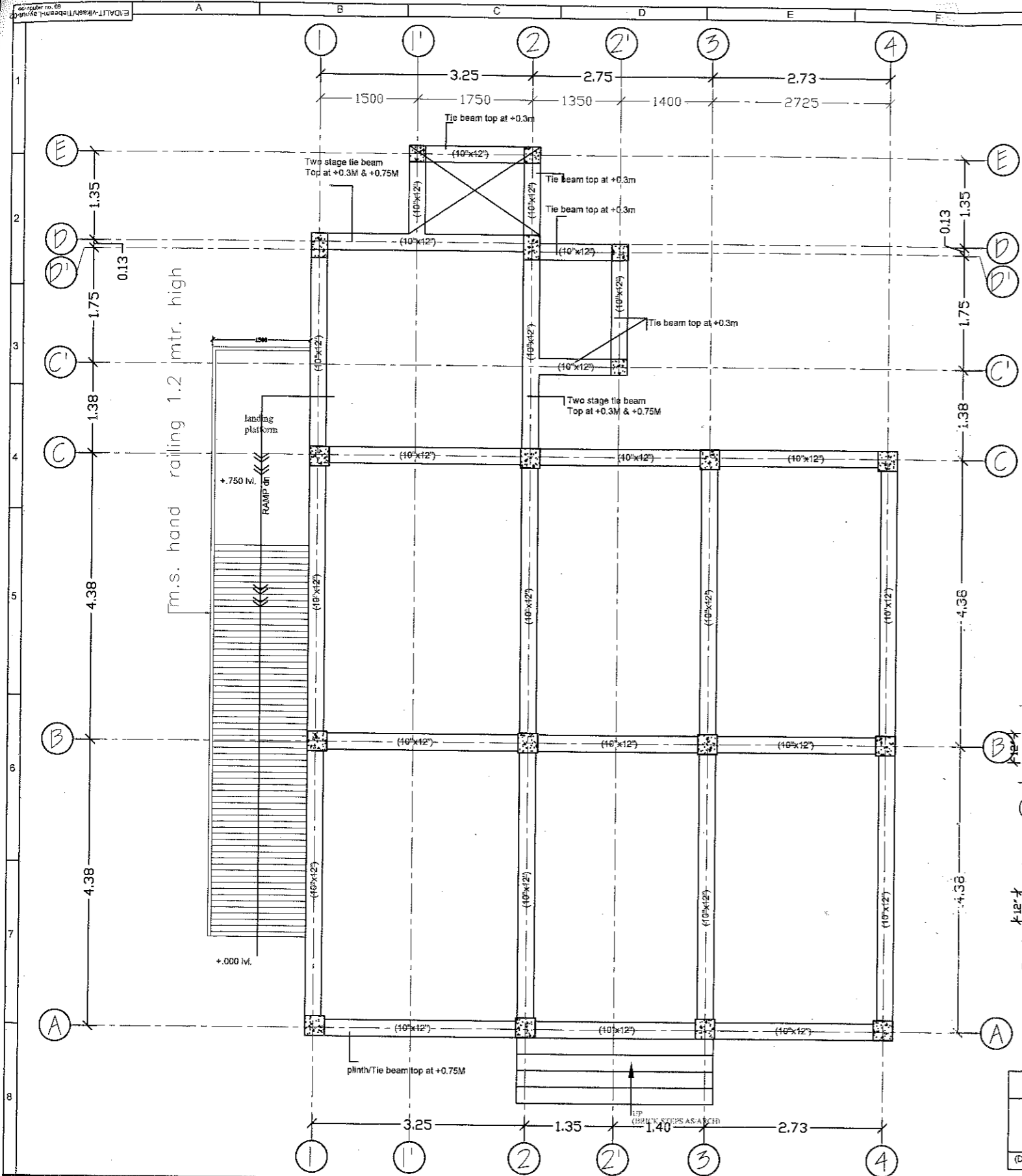


NOTES:

- 1- Read this drawing alongwith architectural & structural
- 2- Do not scale follow written dimensions only.
- 3- All dimensions & levels shall be checked & co-related with relevant architectural & structural drawing & in case of any ambiguity the matter shall be brought to the notice of the consultant before starting the work.
- 4- All concrete to be casted in place unless noted otherwise.
- 5- All reinforcement bars shall be casted with 50mm clear cover for other dia bars indicates for steel with Fy-500 N/mm².
- 6- Clear cover for main bars :-
- 7- Footings - 50mm
- 8- Columns - 25mm
- 9- Slabs - 25mm
- 10- Beams - 25mm
- 11- Walls - 25mm
- 12- Water curing must be done at least for 21 days.
- 13- Water curing must be done at least for 21 days.
- 14- Reinforcement concrete shall be casted and set at least 100mm above the ground level and set at least 100mm below the ground level.
- 15- This foundation has been designed for single story institutional building as per IS 456:2000. The building has been designed as earthquake resistant structure as per IS codes.

PROJECT: Proposed Community Hall/ work shed
 CLIENT: BIHAR MAHADALIT VIKAS MISSION
 ARCHITECT & CONSULTANT: CHODDHARY KUMAR CONSULTANTS Pvt. Ltd.
 2nd Floor, PANDORI PLACE, BOHRI ROAD, PATNA
 SCALE: 1/20
 DRAWN BY: RAJESH KUMAR
 CHECKED BY: RAJESH KUMAR
 DATE: 11/07/2016
 PROJECT NO: 16/08/2016
 SHEET NO: 01/01

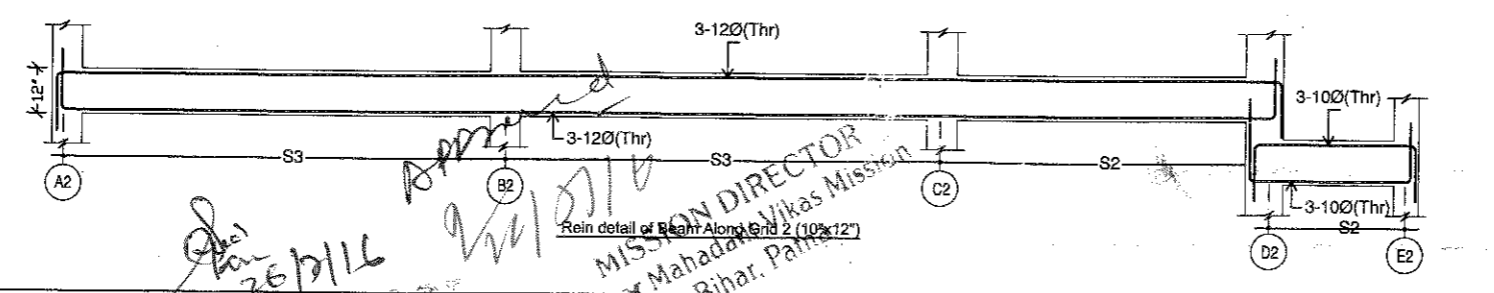




APPROVALS			
(Design Engineer)	A.E.(Design)	Ex.en.(Design)	(Chief Technical Advisor)

NOTES:

- ALL DIMENSIONS ARE IN FEET & INCHES UNLESS NOTED OTHERWISE.
- USE MIX M-20 (NOMINAL 1:1.5:3) IN CASTING OF ALL TIE BEAMS.
- ONLY Ø INDICATES MILD STEEL WITH $F_y=250N/sq.mm$. OTHER Ø INDICATES FOR TISCO/SAIL TMT Fe500D Grade of Steel.
- CLEAR COVER TO MAIN REINFORCEMENT SHALL BE 25MM FOR TIE BEAMS AND 40MM FOR COLUMNS.
- TOP LEVEL OF THE TIE BEAM SHALL BE AT PLINTH LEVEL. PL, CL, FGL SHALL BE READ/FIXED AS PER ARCHITECTURAL DRAWING.
- ALL CONCRETE MIX SHALL BE MACHINE MIXED AND MACHINE VIBRATED. Sufficient Cube strength Test shall be performed for batches.
- DEVELOPMENT LENGTH SHALL BE EQUAL TO 57 TIMES THE BAR DIA.
- For Casting of PADESTAL use M25 Grade of concrete.



Symbol	Description
S4	8 Ø @ 5" c/c(cantilever end)
S3	8 Ø 2LVS @ 5" c/c + 8" c/c + 5" c/c
S2	8 Ø 2LVS @ 6" c/c + 8" c/c + 6" c/c
S1	8 Ø 2LVS @ 7" c/c + 9" c/c + 7" c/c

(first 8 set of stirrups shall be placed at 100mm c/c irrespective of detail s1,s2,s3,s4 near every support)

Spacing of shear rein. (top & bottom)

PROJECT: Proposed Cummunity Hall/ work shed

AT

SHEET TITLE: TIE BEAM LAYOUT & REIN. DETAILS

CLIENT: BIHAR MAHADALIT VIKAS MISSION PATNA

ARCHITECT & CONSULTANT: CHOUDHARY KUMAR CONSULTANTS Pvt. Ltd. 2nd Floor, PANDOO PLACE, BORING ROAD, PATNA

SCALE: 7/8"

DRAWN BY: RAJANSHARI DATE: 11-07-2018

CHECKED BY: MANOJ JASWAL DEALT BY: ABHINAV GUPTA

DATE	REVISION

The CAD Institute: An ISO 9001 Certified Structural Designing Company

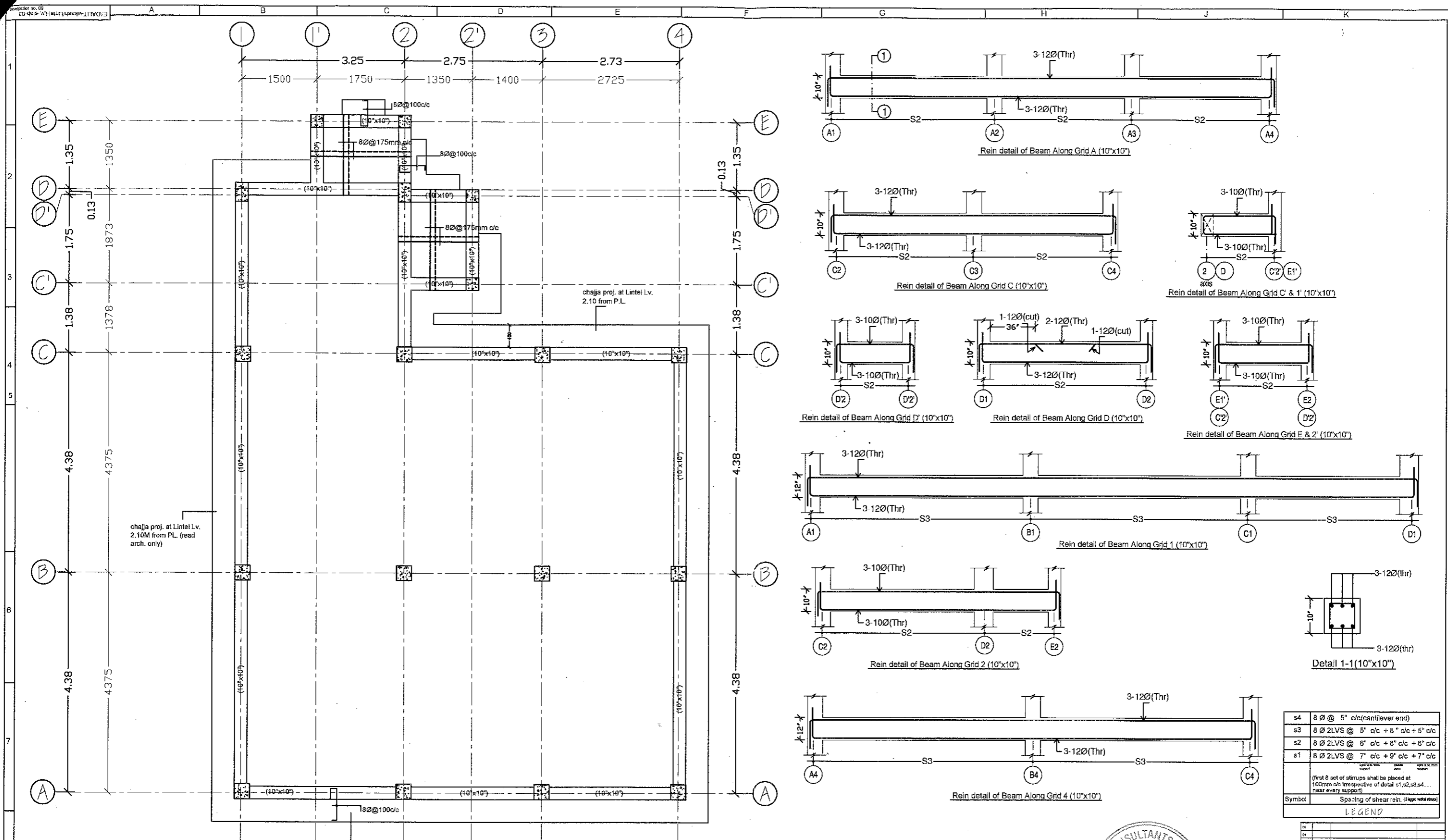
COMPUTER FOUNDATION PVT. LTD.

(Opp. Taberna Complex) Boring Road, Patna-1. Ph: 9838304728

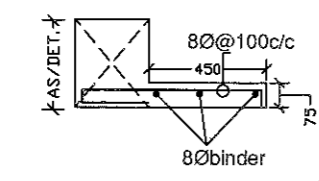
PMC Approved Grade-A structural Designer

COMPUTER AIDED DESIGN-STUDIO

Rev. R-0

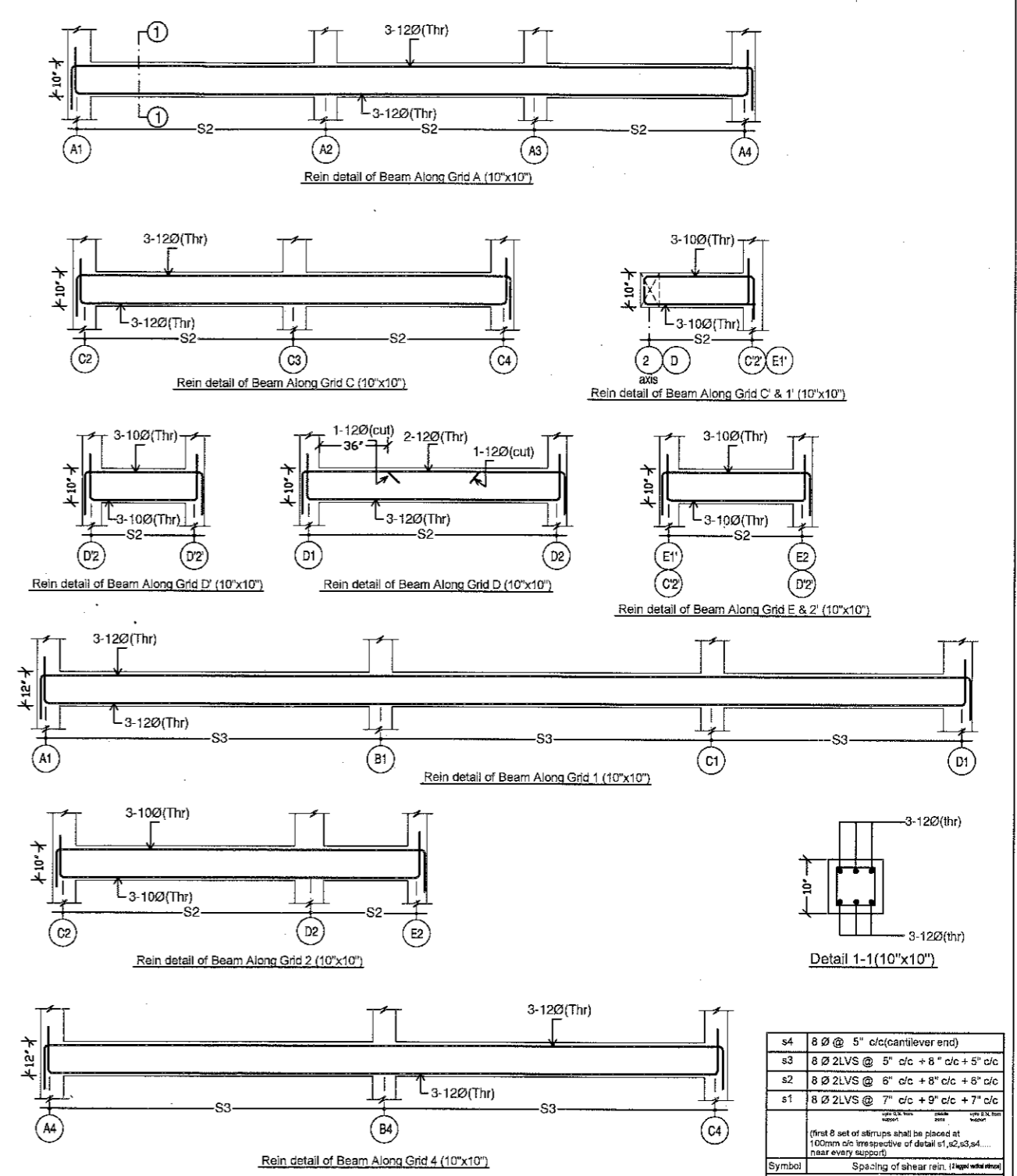


- NOTES:**
- 1> Read this drawing along with architectural & structural drawing.
 - 2> Do not scale, follow written dimensions only.
 - 3> All dimensions & levels shall be checked & co-related with relevant architectural & structural drawing & in case of ambiguity the matter shall be brought to the notice of the consultant before starting the work.
 - 4> Grade of concrete to be used - M20.
 - 5> Ø for 6mm dia bars indicates for steel with $F_y=250$ Nsq/mm Ø for other dia rein. indicates for TMT steel with $F_y=500$ Nsq/mm
 - 6> Clear cover: (a) Roof Slab - 15mm (b) Beams - 25mm
 - 7> Not more than 50% of bars shall be lapped at any section. Lap length shall not be less than 57 times the dia. of smaller bar.
 - 8> Lap should be avoided in following cases -> Top bars - near support Bottom bars - near mid span
 - 9> Whenever necessary sufficient chairs @ 2'-6" shall be provided to support the top reinforcement.
 - 10> Water curing must be done at least for 21 days.
 - 11> All concrete shall be machine mixed and machine vibrated.
 - 12> All dimensions are in feet and inches unless noted otherwise.
 - 13> Binders for extra top of slab rein. shall be 8Ø @ 12" c/c.



TYP. REIN. DETAIL OF CHAJJA

Approved
26/11/2016
Anil Kumar
 Engineer (Monitoring)
 Mission Director
 Bihar Mahadalit Vikas Mission
 Bihar, Patna



s4	8 Ø @ 5" c/c(cantilever end)
s3	8 Ø 2LVS @ 5" c/c + 8" c/c + 5" c/c
s2	8 Ø 2LVS @ 6" c/c + 8" c/c + 6" c/c
s1	8 Ø 2LVS @ 7" c/c + 9" c/c + 7" c/c

(first Ø set of stirrups shall be placed at 100mm c/c irrespective of detail s1,s2,s3,s4... near every support)

Symbol Spacing of shear rein. (1Ø@12" c/c)

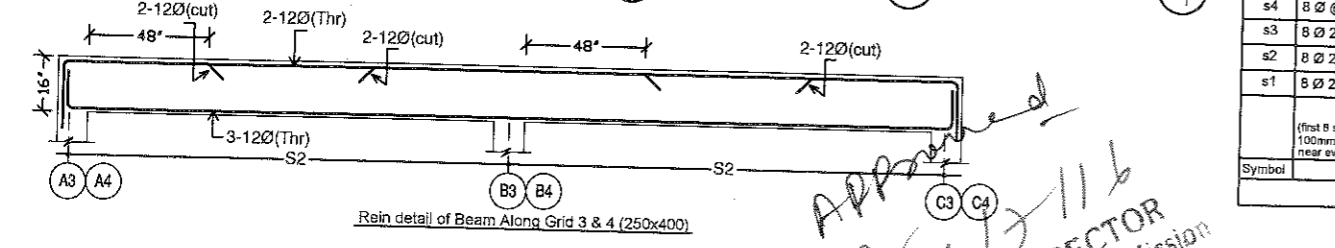
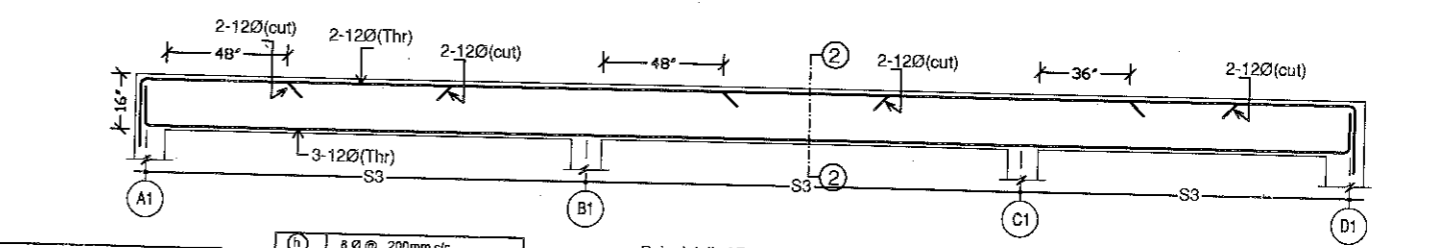
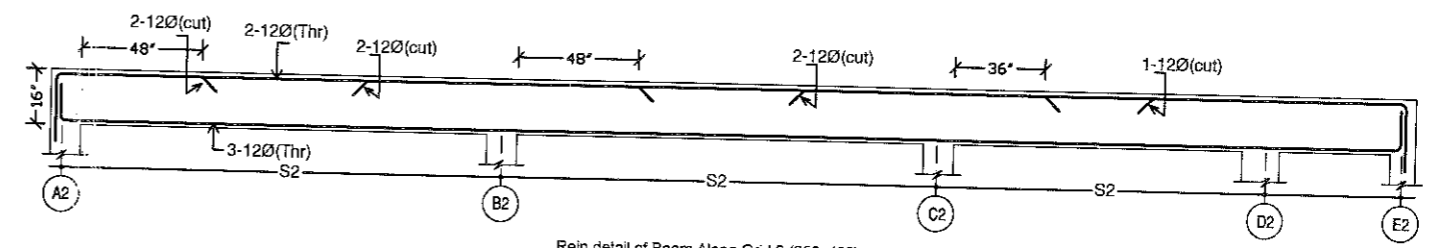
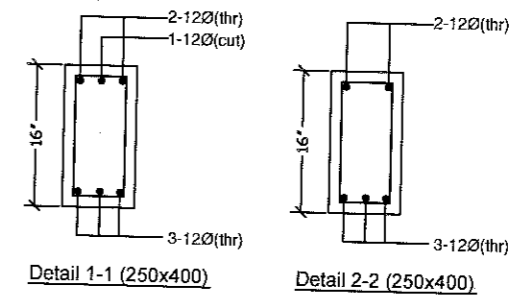
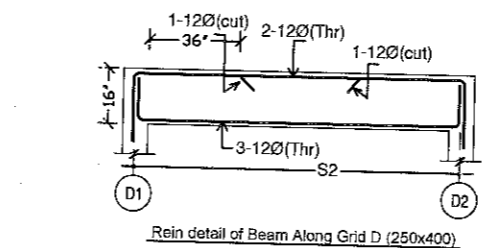
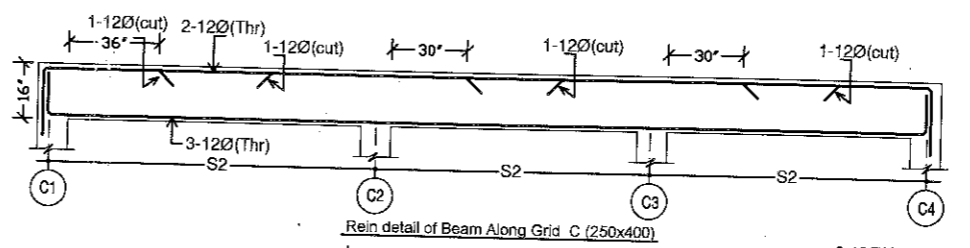
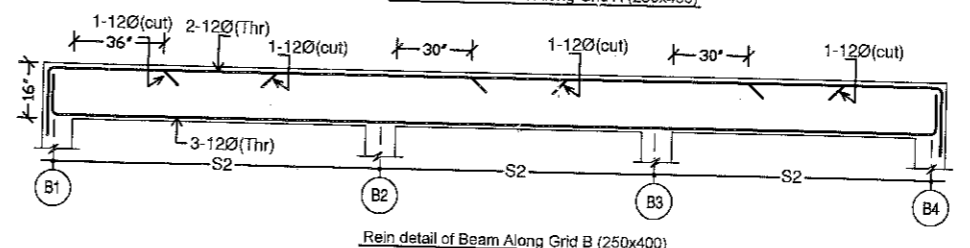
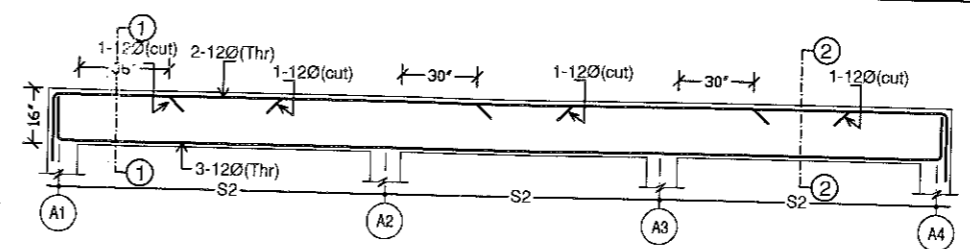
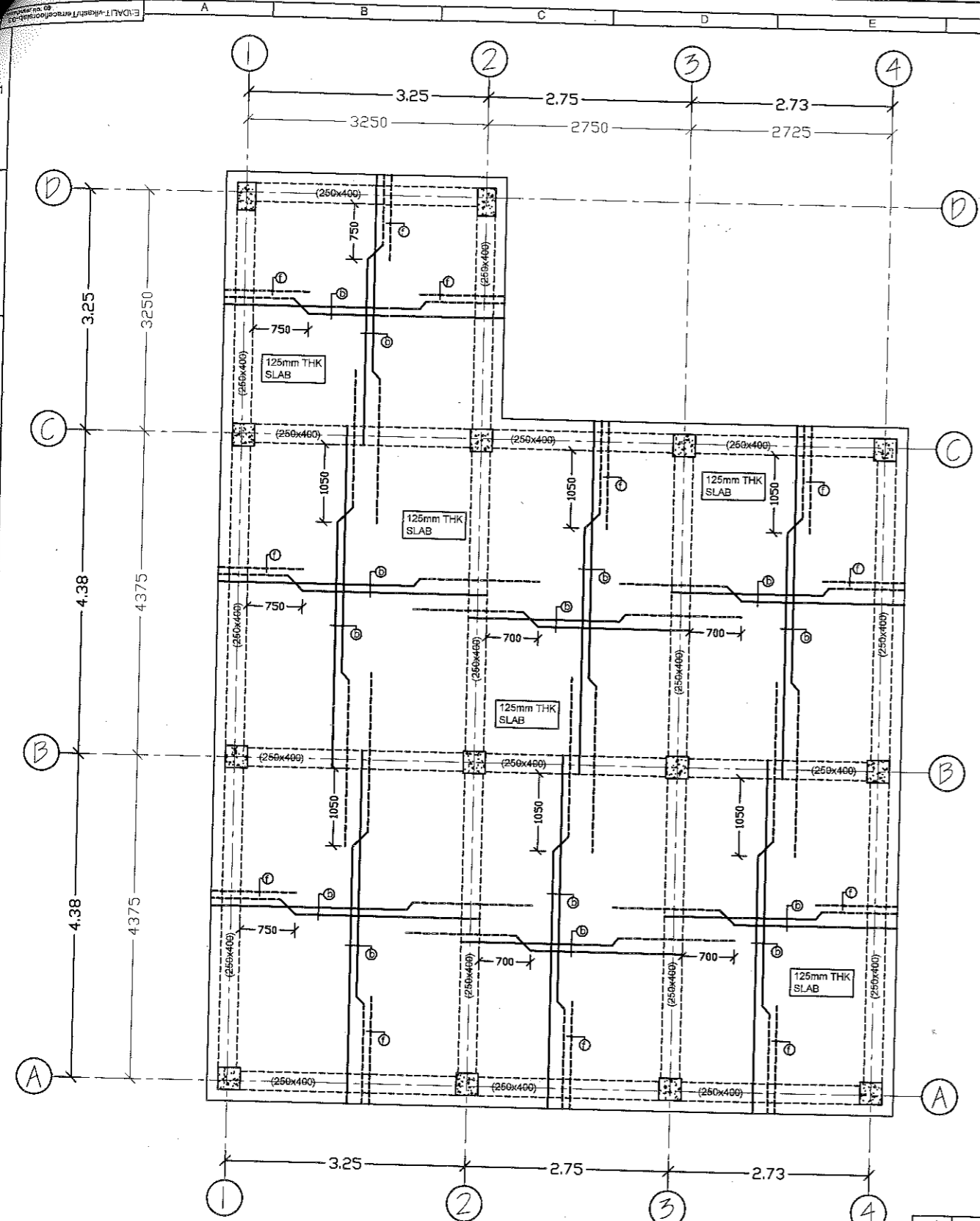
LEGEND

APPROVALS			
(Design Engineer)	A.E.(Design)	Ex.en.(Design)	(Chief Technical Advisor)

PROJECT: (SINGLE STOREY) BUILDING
Proposed Community Hall/ work shed
 at
 SHEET TITLE: L.v. +2.10 from P.L.
REIN. DETAILS at TOILET ROOF & LINTAL
 CLIENT:
BIHAR MAHADALIT VIKAS MISSION
 PATNA
 ARCHITECT & CONSULTANT:
CHOUDHARY KUMAR CONSULTANTS Pvt. Ltd.
 2nd Floor, PANDOOI PLACE, BORING ROAD, PATNA
 SCALE: 1/4"=1'-0"
 DRAWN BY: RAZI ANSARI DATE: 11-27-2016
 CHECKED BY: MANOJ JAINWAL DEALT BY: ABHINAV GUPTA

The CAD Institute :
COMPUTER FOUNDATION
 (Opp. Tapasya Complex) Boring Road, Patna-7. Ph: 9432047253
 PMC Approved Grade-A structural Designer

DATE: 11-27-2016
 Rev. 1.0



- NOTES:**
- 1> Read this drawing along with architectural & structural drawing.
 - 2> Do not scale, follow written dimensions only.
 - 3> All dimensions & levels shall be checked & co-related with relevant architectural & structural drawing & in case of ambiguity the matter shall be brought to the notice of the consultant before starting the work.
 - 4> Grade of concrete to be used - M20.
 - 5> Ø for 6mm dia bars indicates for steel with $F_y=250$ N/sq.mm Ø for other dia rein. indicates for TMT steel with $F_y=500$ N/sq.mm
 - 6> Clear cover- (a) Roof Slab - 15mm (b) Beams - 25mm
 - 7> Not more than 50% of bars shall be lapped at any section. Lap length shall not be less than 57 times the dia. of smaller bar.
 - 8> Lap should be avoided in following cases :-
Top bars - near support Bottom bars - near mid span
 - 9> Wherever necessary sufficient chairs @ 2'-6" shall be provided to support the top reinforcement.
 - 10> Thickness of all slab panels are 125MM (5 INCHES) unless noted otherwise.
 - 11> Water curing must be done at least for 21 days.
 - 12> All concrete shall be machine mixed and machine vibrated.
 - 13> All dimensions are in feet and inches unless noted otherwise.
 - 14> Binders for extra top of slab rein. shall be 8Ø @ 12" c/c.

s4	8 Ø @ 5" c/c (santiever end)
s3	8 Ø 2LVS @ 6" c/c + 8" c/c + 5" c/c
s2	8 Ø 2LVS @ 8" c/c + 8" c/c + 6" c/c
s1	8 Ø 2LVS @ 7" c/c + 9" c/c + 7" c/c
Symbol	Spacing of shear rein. (1 lapped and 1 not lapped)
LEGEND	

(h)	8 Ø @ 200mm c/c
(g)	8 Ø @ 250mm c/c (extra top)
(f)	8 Ø @ 300mm c/c (extra top)
(e)	8 Ø @ 350mm c/c (extra top)
(d)	8 Ø @ 100mm c/c
(c)	8 Ø @ 125mm c/c
(b)	8 Ø @ 175mm c/c
(a)	8 Ø @ 200mm c/c
Symbol	Spacing
LEGEND	

Approved

26/7/16

Anil Kumar
Engineer (Monitoring)

MISSION DIRECTOR
Bihar Mahadalit Vikas Mission
Bihar, Patna

APPROVALS				
(Design Engineer)	A.E.(Design)	Ex.en.(Design)		(Chief Technical Advisor)



PROJECT: Proposed Community Hall/ work shed

AT: Lv. +3.60 from P.L.

SHEET TITLE: REIN. DETAILS OF TERRACE FLOOR LV. SLAB

CLIENT: BIHAR MAHADALIT VIKAS MISSION PATNA.

ARCHITECT & CONSULTANT: CHOUDHARY KUMAR CONSULTANTS Pvt. Ltd. 2nd Floor, PANDOOI PLACE, BORING ROAD, PATNA

SCALE: 1"=3'

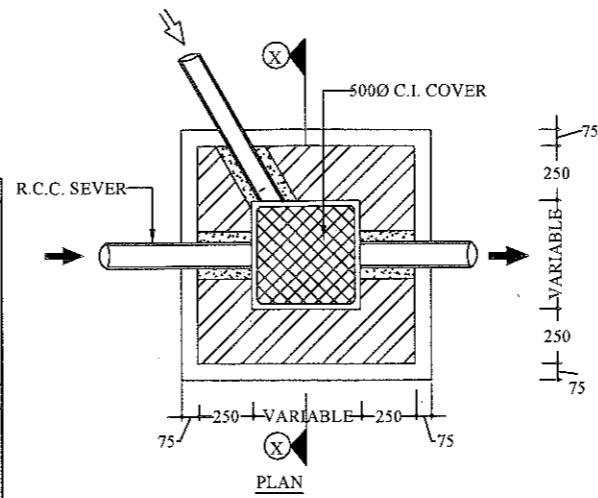
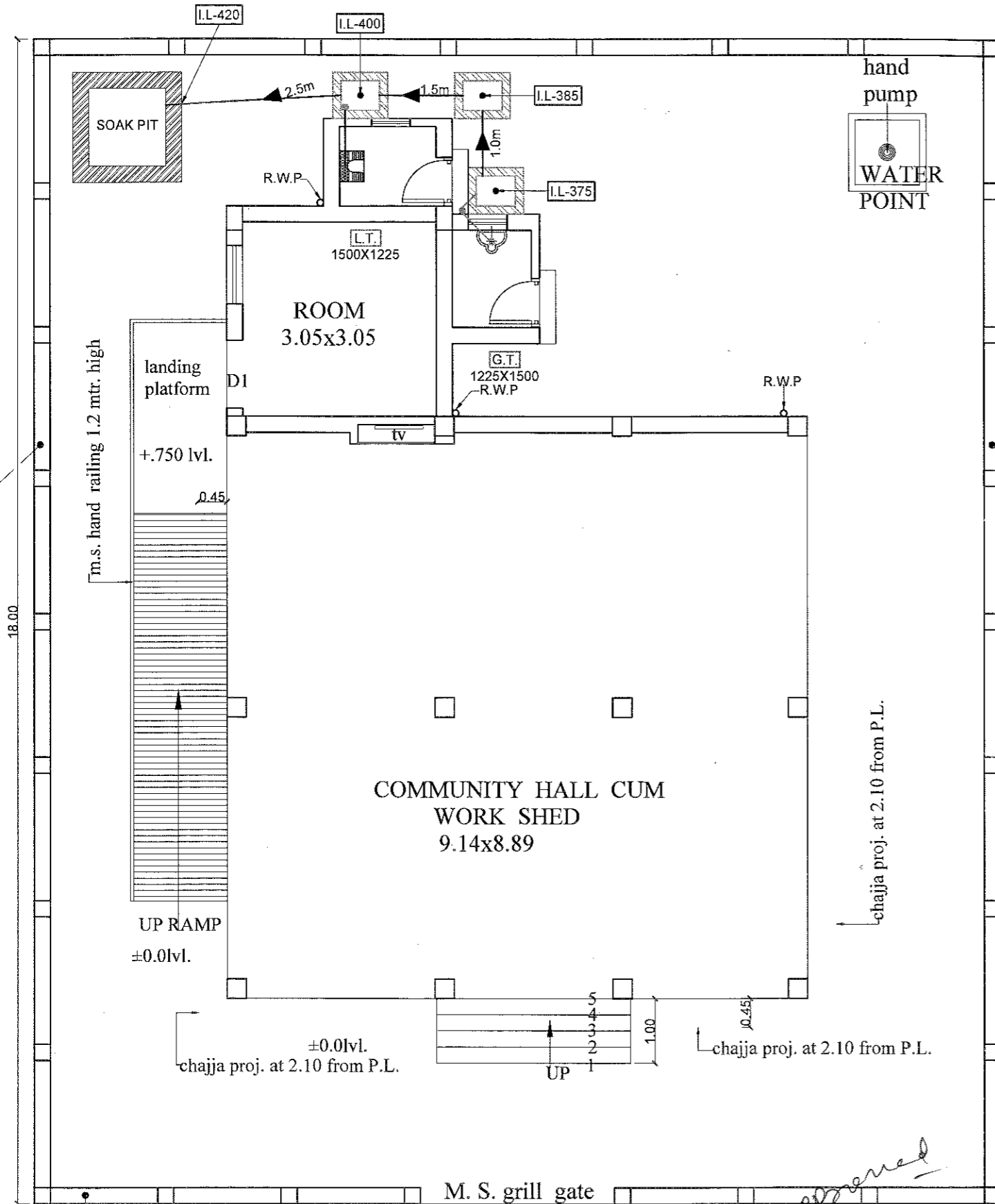
DRAWN BY: RAZI ANSARI DATE: 11-07-2016

CHECKED BY: MANOJ JAINWAL DEALT BY: ABHINAV GUPTA

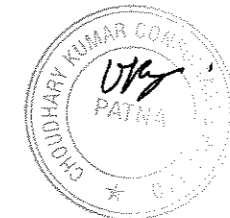
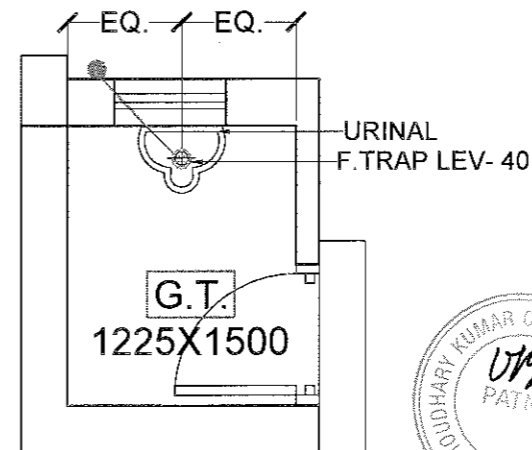
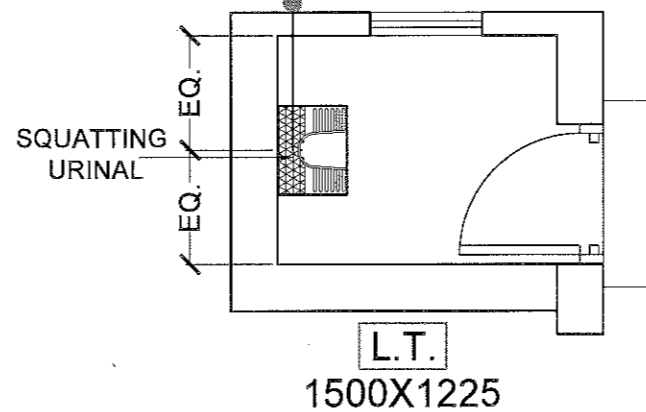
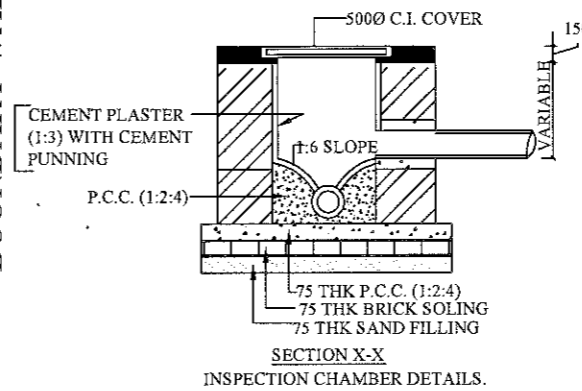
The CAD Institute: COMPUTER AIDED DESIGN STUDIO

COMPUTER FOUNDATION

BOUNDARY WALL



BOUNDARY WALL



LEGEND :-

S.N.	SYMBOLS	PARTICULARS
1.	●	100Ø C.I. SOIL PIPE
2.	○	FLOOR TRAP
3.	○	110Ø RAIN WATER PIPE
4.	□	INSPECTION CHAMBER WITH SOIL SEWER

NOTES :-

1. ALL DIMENSIONS ARE IN MM OTHERWISE MENTIONED.
2. THIS DRAWING SHOULD BE READ WITH OTHER RELEVANT P.H.E. & ARCHITECTURAL DRAWINGS.
3. SYMBOLS CARRY USUAL MEANINGS.
4. FOLLOW WRITTEN DIMENSIONS ONLY DO NOT SCALE.
5. **NOTE :-** IN CASE OF DISCREPANCY IN THE DRAWING OR DIFFICULTY AT SITE THIS OFFICE SHOULD BE REFERED IMMEDIATELY.

PROJECT:-	NORTH
PROPOSED COMMUNITY HALL CUM WORK SHED WITH URINAL & WATER POINT	

P.H.E. CONSULTANTS:-
P.H. ENGINEERS
 NALA ROAD, OPP- BATA SHOP
 KAILASH BHAWAN, 1st FLOOR
 KADAM KUAN, PATNA - 03
 PH. NO. 2721770 (O), Mob:- 9431827477

CLIENT:-	BIHAR MAHADALIT VIKAS MISSION PATNA
----------	-------------------------------------

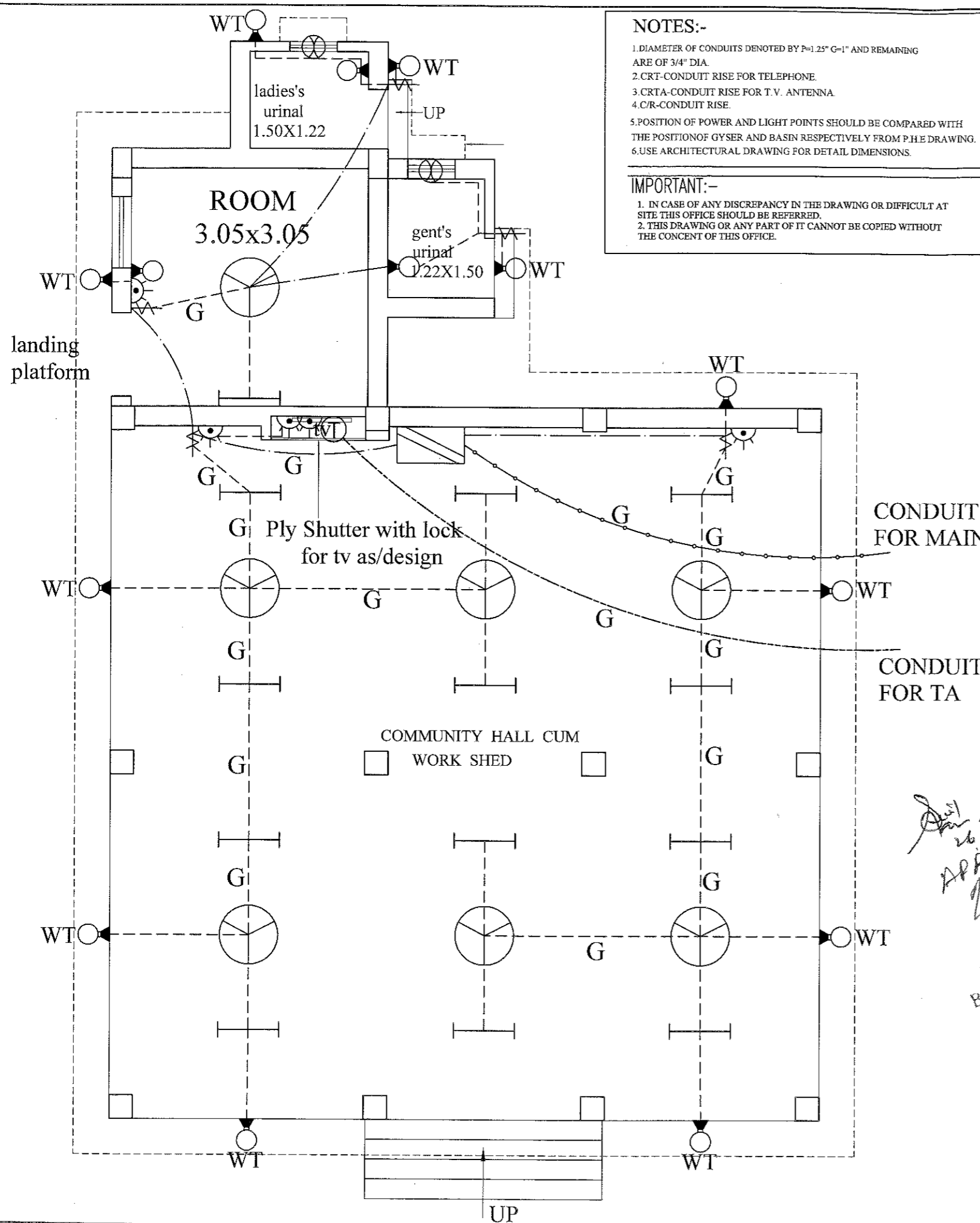
ARCHITECTS:-
 CHOUDHARY KUMAR CONSULTANTS Pvt.Ltd.

SHEET TITLE:-
 PLUMBING DETAILS AT GROUND FLOOR & SOAK PIT, INSPECTION CHAMBER DETAILS.

DRN.	aamjr	DATE	20-07-2016	SHEET NO.
DLT.		SCALE	VARIABLE	PH/01
CHKD.	E.R. K.M. PD.	JOB NO.		

Anil Kumar
 26/7/16
Anil Kumar
 Engineer (Monitoring)

Approved
MISSION DIRECTOR
 Bihar Mahadalit Vikas Mission
 Bihar, Patna



NOTES:-

1. DIAMETER OF CONDUITS DENOTED BY P=1.25" G=1" AND REMAINING ARE OF 3/4" DIA.
2. CRT-CONDUIT RISE FOR TELEPHONE.
3. CRTA-CONDUIT RISE FOR T.V. ANTENNA.
4. C/R-CONDUIT RISE.
5. POSITION OF POWER AND LIGHT POINTS SHOULD BE COMPARED WITH THE POSITION OF GYSER AND BASIN RESPECTIVELY FROM P.H.E DRAWING.
6. USE ARCHITECTURAL DRAWING FOR DETAIL DIMENSIONS.

IMPORTANT:-

1. IN CASE OF ANY DISCREPANCY IN THE DRAWING OR DIFFICULT AT SITE THIS OFFICE SHOULD BE REFERRED.
2. THIS DRAWING OR ANY PART OF IT CANNOT BE COPIED WITHOUT THE CONCENT OF THIS OFFICE.

MIRROR LIGHT	---
ROUTE OF CONDUIT FOR POINT WIRING	---
ROUTE OF CONDUIT FOR CIRCUIT WIRING	---
ROUTE OF CONDUIT FOR POWER WIRING	---
ROUTE OF CONDUIT FOR SUB MAIN WIRING	---
ROUTE OF CONDUIT FOR TELEPHONE WIRING	---
ROUTE OF CONDUIT FOR T. V. WIRING	---

NOTES:-

1. DIAMETER OF CONDUITS DENOTED BY P=1.25" G=1" AND REMAINING ARE OF 3/4" DIA.
2. CRT-CONDUIT RISE FOR TELEPHONE.
3. CRTA-CONDUIT RISE FOR T.V. ANTENNA.
4. C/R-CONDUIT RISE.
5. POSITION OF POWER AND LIGHT POINTS SHOULD BE COMPARED WITH THE POSITION OF GYSER AND BASIN RESPECTIVELY FROM P.H.E DRAWING.
6. USE ARCHITECTURAL DRAWING FOR DETAIL DIMENSIONS.

IMPORTANT:-

1. IN CASE OF ANY DISCREPANCY IN THE DRAWING OR DIFFICULT AT SITE THIS OFFICE SHOULD BE REFERRED.
2. THIS DRAWING OR ANY PART OF IT CANNOT BE COPIED WITHOUT THE CONCENT OF THIS OFFICE.



LEGENDS		
PARTICULARS	SYMBOL	HEIGHT
LIGHT POINT BATTEN	⊙	7'-6"
DECORATIVE BRACKET LIGHT POINT	⊙	7'-6"
NIGHT LAMP	⊙	7'-6"
CEILING FLUSH POINT	⊙	---
FOOT LAMP	⊙	1'-0"
WATER TIGHT/BULK HEAD FITTING	⊙WT	10'-0"
TUBE LIGHT 1X4'-0", 40W	⊏	7'-6"
TUBE LIGHT 2X4'-0", W	⊏	7'-6"
CHANDELIER FITTING	⊙	---
STREET LIGHT(TUBE LIGHT FITTING)	⊏	---
STREET LIGHT(VAPOUR LAMP FITTING)	⊏	---
INTERCOM	⊙	1'-0"
FAN POINT(CEILING)	⊙	---
WALL BRACKET FAN POINT.	⊏	6'-6"
EXHAUST FAN	⊙	6'-6"
5A, 3PIN, SWITCH & SOCKET	⊏	1'-6"/3'-6"/SB.
15A, 3PIN, SWITCH & SOCKET	⊏	R.M. 1'-6"/6'-0" K3'-6"/T.5'-0"
CALL BELL	⊏	8'-0"
TELEPHONE OUT LIET	⊏	1'-0"
TELEPHONE J. N.	⊏	8'-0"
T.V. OUTLET	⊏	3'-6"
FLUSH TYPE. 5A SWITCH(ONE WAY)	⊏	4'-6"
FLUSH TYPE. 5A SWITCH(TWO WAY)	⊏-2	4'-6"
FLUSH TYPE. 15A SWITCH(ONE WAY)	⊏	4'-6"
MAIN PANEL	⊏	---
D B	⊏	6'-0"
POWER D B	⊏	6'-0"
CALL BELL PUSH	⊏	4'-6"
C.F.L. LIGHT FITTING (2X36W)	⊏	---
C.F.L. LIGHT FITTING (2X11W)	⊏	---
DOWN LIGHT CFL FETTING (2X18W)	⊏	---
PORTICO LIGHT	⊏	---
BED SWITCH	⊏	2'-6"
BED LIGHT	⊏	4'-6"
SPEAKER	⊏	---
DOWN LIGHT CFL FETTING (2X18W)	⊏	---

Approved
26/7/16
26/7/16
MISSION DIRECTOR
Bihar Mahadalit Vikas Mission
Bihar, Patna

PROJECT			
PROPOSED COMMUNITY HALL CUM WORK SHED WITH URINAL & WATER POINT			
CLIENT : BIHAR MAHADALIT VIKAS MISSION PATNA -			
ARCHITECTS CHOUDHARY KUMAR CONSULTANTS Pvt. Ltd. Architects , Engineers & Interior Designers Pandooi Place , Boring Road , Patna - 1 Ph. : 0612- 2535894 Email : ceekay123@vsnl.net			
ELECT. CONSULTANTS.			NORTH
UNI-TECH CONSUITANT ELECTRICAL CONSULTING ENGINEERS SRI RAM PLAZA, 3RD FLOOR STATION ROAD, PATNA-800001 PH NO : 2218688(O) email: unitechassociates@yahoo.co.in			
SHEET TITLE ELECTRICAL LAYOUT FOR GROUND FLOOR PLAN			
DRN.	AWADHESH KUMAR RAKESH KUMAR	SCALE	DRG. NO.
CHKD		DATE	E/01
		12.07.2016	
			REV.